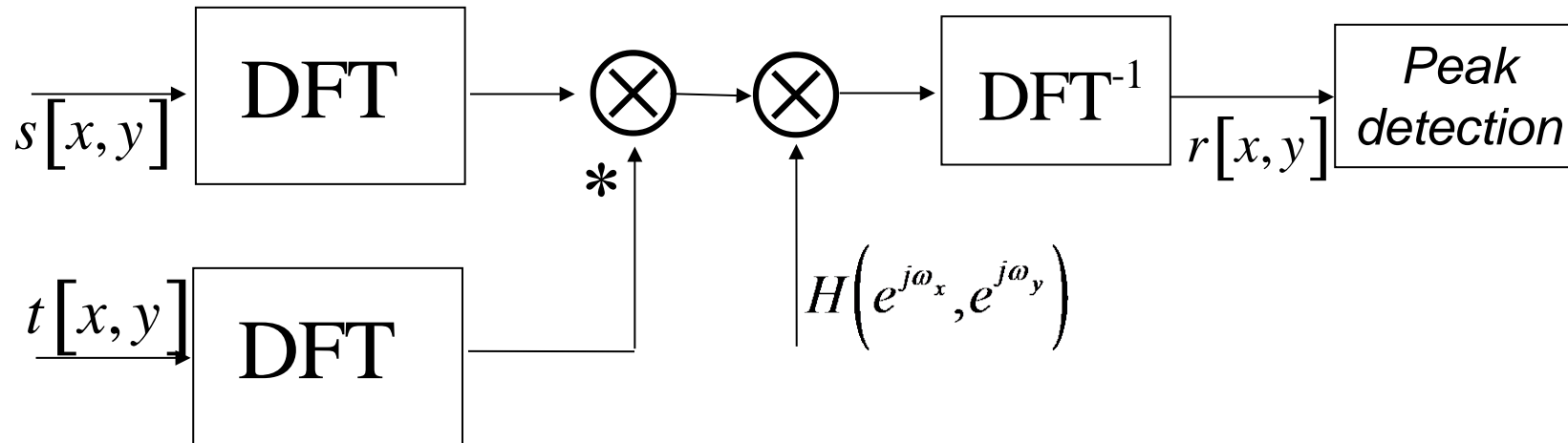


# Phase correlation

- Efficient implementation employing the Discrete Fourier Transform



- Phase correlation

$$H(e^{j\omega_x}, e^{j\omega_y}) = \frac{1}{\left| S(e^{j\omega_x}, e^{j\omega_y}) \right| \left| T(e^{j\omega_x}, e^{j\omega_y}) \right|}$$